



HYDROTAP G5 BC40 CLASSIC CHROME



BOILING

CHILLED

FILTERED

Order Code H51703Z00AU

Zip HydroTap Boiling, Chilled, Filtered water system features a single under bench command centre including full colour interactive touch screen display with pin code protection and customisable settings including 2 boiling water safety modes, 3 energy saving modes including ON/OFF timers and sensor activated 'sleep when it's dark', 'Quiet' mode with automated intelligent fan speed adjustment, antimicrobial protection impregnated into key water paths for enhanced hygiene, 100% water efficient air cooled technology, and 0.2 micron water filtration. Easy to install integrated ventilation tray included.



Manufacturing Code	H51703Z00AU
--------------------	-------------

Capacity	Commercial
----------	------------

Number of people	21-40
------------------	-------

Boiling Cups per hour	160
-----------------------	-----

Chilled Cups per hour	125
-----------------------	-----

Tap	Zip HydroTap CLASSIC Tap (Chrome)
-----	-----------------------------------

Water Pressure	Min 170kPa - Max 700kPa
----------------	-------------------------

Water Connection	1/2" BSP (G1/2)
------------------	-----------------

Water Supply Requirements	Cold
---------------------------	------

Water Valves	Integrated 500kPa Pressure limiting valve and Dual Check Valve
--------------	--

Power Rating	1.97kW 220-240V 50Hz
--------------	----------------------

Power Supply 1 x 10 Amp socket outlet

Dimensions W395mm x D464mm x H333mm

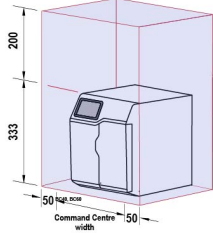
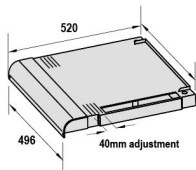
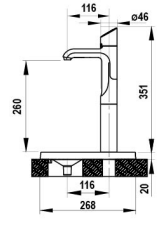
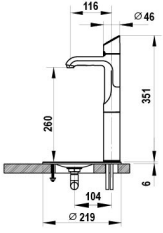
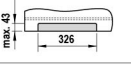
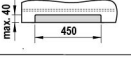

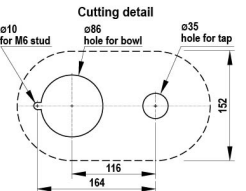
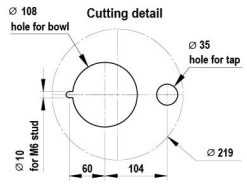
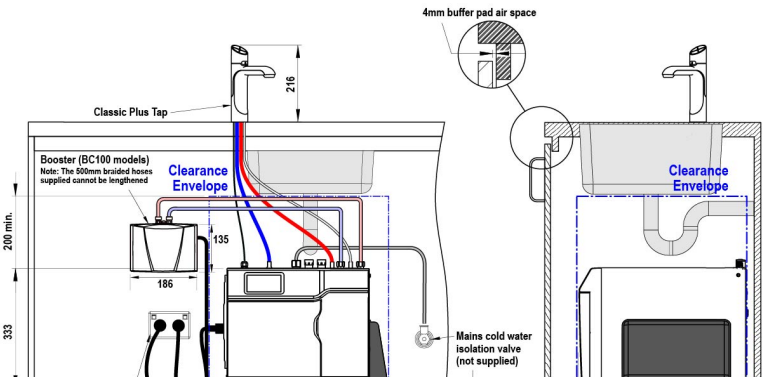
Product Approvals WaterMark, RCM, ARC

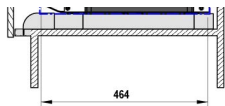
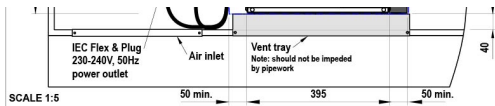
Installation Requirements

1. Installation and connection of your Zip HydroTap must be carried out by a qualified person, observing national and local regulations.
2. You will require suitable mains electrical and drinking water connections, plus waste water drainage all within 1 metre of the product.
3. Discrete cabinetry cut-outs are required for ventilation.
4. Installation on most bench tops is straightforward however some stone bench tops may require a specialised cutting service.
5. If you live in a hard water area, we recommend installation of a Zip scale filtration kit.

Installation Detail

EKL2 HydroTap G5 v1.01 01.21 BC40 BC60

Ventilation requirements <small>Contact your local service provider if ventilation is not suitable</small>	HydroTap Tap options	Font options
Clearance envelope Position the Tap and the Command Centre as close together as possible. 	Vent tray (kit no. 93540)  Classic Plus (116mm height, 126mm depth, 216mm total height, 46mm width) Classic (116mm height, 126mm depth, 208mm total height, 46mm width) Elite Plus (112mm height, 126mm depth, 221mm total height, 46mm width) Touch-Free Wave (116mm height, 126mm depth, 214mm total height, 46mm width) 100mm clearance envelope required. For Sink installations, install on the left-hand side of the Sink for ease of access to Boiling water function.	Raised Font with 135mm Extension part no. 95258  Font with 135mm Extension part no. 90915 
Detail A. Air inlet grille Cut-out in cabinet floor  Detail B. Vent tray air outlet Cut-out in cabinet floor 	Tap Positioning Position the Tap to dispense into the sink, allowing clearance for a cup or teapot. Alternatively, mount the HydroTap Tap on a Font (available as an accessory).  Sink	Cutting detail  Cutting detail 
 <p>4mm buffer pad air space</p> <p>Classic Plus Tap</p> <p>Booster (BC100 models) Note: The 500mm braided hoses supplied cannot be lengthened</p> <p>Clearance Envelope</p> <p>200 min.</p> <p>186</p> <p>135</p> <p>Mains cold water isolation valve (not supplied)</p>		



SCALE 1:5
ALL DIMENSIONS IN MM UNLESS OTHERWISE SPECIFIED. INSTALLATION DIAGRAMS ARE FOR ILLUSTRATIVE PURPOSES ONLY. HOSES ARE NOT SHOWN TO SCALE AND CANNOT BE LENGTHENED.

BC40, BC60, BC100

shown with "Classic Plus" Tap